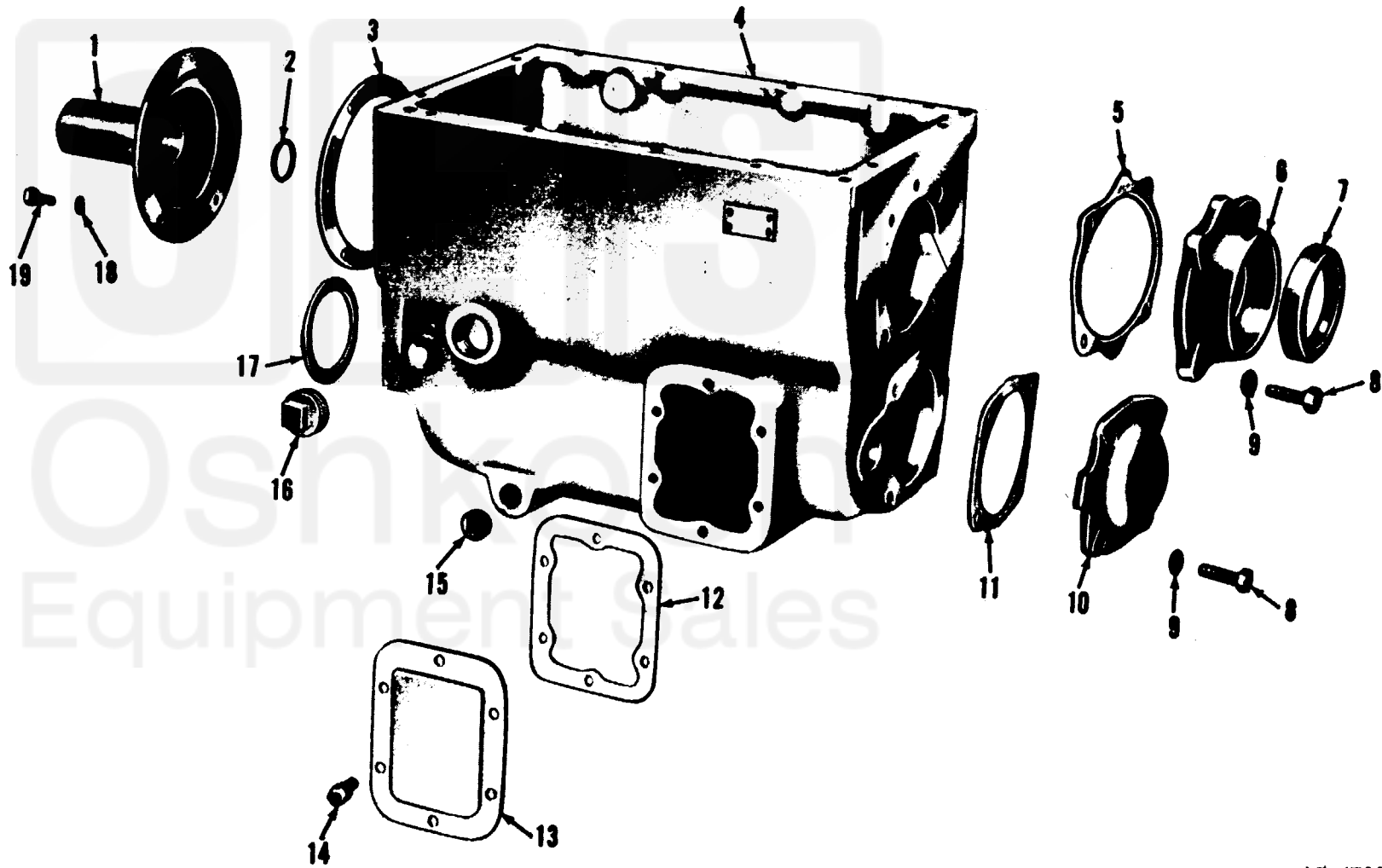


(1) SMR Code	(2) Federal Stock Number	(3) DESCRIPTION	(4) UNIT	(5) Qty	(6) 30-day DS maint	(7) 30-day GS maint	(8) 1-yr	(9) Depot	(10) Illustration	of meas	inc. allowance	allowance	alw	maint	per	100	(a) equip	(b) 100 equip	(c) Figure No.	(b) Item No.
Reference Number & Mfr. Code			Usable On Code			(a) 1-20	(b) 21-50	(c) 51-100	(a) 1-20	(b) 21-50	(c) 51-100	gcy								
0700-TRANSMISSION ASSEMBLY-CONTINUED																				
P-F	2520-040-2249	CASE: TRANSMISSION 7376161 (19207)	A	EA	1	*	*	*	*	*	*	2	5	42						4
P-F	2520-734-7591	GASKET: MAIN SHAFT REAR BEARING COVER (COMPONENT OF GASKET SET, FSN 2520-692-6183 7347591 (19207)	A	EA	1	*	*	*	*	*	*	10		42						5
P-F	2520-397-6542	CAP, MAINSHAFT, REAR: TRANSMISSION 8327036 (19207)	A	EA	1	*	*	*	*	*	*	2	5	42						6
P-F	5330-291-1654	SEAL, PLAIN ENCASED: REAR MAINSHIF CAP 100066R91 (31007)	A	EA	1	*	*	*	*	*	*	24	100	42						7
P-F	5305-042-6417	SCREW, CAP, HEXAGON: REAR MAINSHAFT CAP TO CASE MS90725-113 (96906)	A	EA	8	*	*	*	*	*	*	6	10	42						8
P-F	5310-584-5272	WASHER, LOCK: MAINSHAFT CAP TO CASE MS35338-48 (96906)	A	EA	8	*	*	*	*	*	*	6	10	42						9
P-F	2520-734-7713	COVER, ACCESS: COUNTERSHAFT REAR BEARING 7347713 (19207)	A	EA	1	*	*	*	*	*	*	2	5	42						10
P-F	2520-457-3453	GASKET: COUNTERSHAFT REAR BEARING COVER (COMPONENT OF GASKET SET, FSN 2520-692-6183 7347593 (19207)	A	EA	1	*	*	*	*	*	*	10		42						11
P-O	2520-447-3406	GASKET: CASE COVER (COMPONENT OF GASKET SET, FSN 2520-692-6183 5714787 (19207)	A	EA	2	*	*	*	*	*	*	20		42						12
P-O	2520-354-0771	COVER, ACCESS: CASE 5323473 (19207)	A	EA	2	*	*	*	*	*	*	2	5	42						13
P-O	5306-145-1069	BOLT SELF-LOCKING: ACCESS COVER 7748663 (19207)	A	EA	6	*	*	*	*	*	*	6	10	42						14
P-O	4730-278-3357	PLUG, PIPE: OIL DRAIN 103881 (31007)	A	EA	1	*	*	*	*	*	*	6	10	42						15
P-O	4730-737-5248	PLUG, PIPE: CASE 7375248 (19207)	A	EA	1	*	*	*	*	*	*	6	10	42						16
P-F	5330-532-9061	GASKET: COUNTERSHAFT FRONT BEARING (COMPONENT OF GASKET SET, FSN 2520-692-6183 8333624 (19207)	A	EA	1	*	*	*	*	*	*	10		42						17
P-F	5310-637-9541	WASHER, LOCK: MAINSHAFT COVER TO CASE MS35338-46 (96906)	A	EA	7	*	*	*	*	*	*	6	10	42						18
P-F	5305-269-3213	SCREW, CAP, HEXAGON: MAINSHAFT COVER TO CASE MS90725-62 (96906)	A	EA	7	*	*	*	*	*	*	6	10	42						19
P-F	5307-206-1485	STUD, PLAIN: MAIN SHAFT FRONT COVER 833626-2 (19207)	A	EA	6	*	*	*	*	*	*	6	10	N/I						

Current part is item (10) on diagram. Available at www.oshkoshequipment.com



AT 47182

Figure 42. Transmission case and attaching parts.

Current part is item (10) on diagram. Available at www.oshkoshequipment.com